

# DIBAL

## Retail Scales **K Series**



**Receipt printer or "2 in 1" printer:  
receipts or labels in a single scale**

# K Series retail scales

## Capacity / Accuracy

### Single range options:

6 kg - 2 g / 15 kg - 5 g / 30 kg - 10 g.

### Dual range options:

3 kg - 1 g # 6 kg - 2 g / 6 kg - 2 g # 15 kg - 5 g / 15 kg - 5 g # 30 kg - 10 g.

### 6.000 divisions option:

12 kg - 2 g / 30 kg - 5 g.

## Display

**Backlight LCD** segments display, available in two versions: **numeric or alphanumeric display.**



## Features

**Articles:** 500, 1.000 or 4.000 PLUs, depending on model.

**Pre-sets:** 32 x 2 keys. Transparent keyboard overlay to personalise PLUs (except in stainless steel hanging scales).

**PLU related information:** code, pre-set, name, price, type of article (weighed / non weighed), section (10 sections), VAT (5 types) and tare. In models with label printer, each article also includes: label format (5 formats), 3 dates (current, use by, extra) and free texts (3 lines x 20 characters for texts and ingredients).

**Vendors:** 10 (5 x 2 keys), except in self-service scales.

**Pre-set tares:** 10.

**Beef traceability:** printing of animal info, on receipt and/or label, according to European regulation.

### Other features:

- Currency converter.
- Calculation of cash to be returned to customer.
- 5 Payment terms.
- Sales reports (by PLU, vendor, section, etc).

## Formats

**FLAT**, with receipt printer or receipt/label printer.

**TOWER**, with receipt printer or receipt/label printer.

**DOUBLE BODY**, with receipt printer or receipt/label printer.



## Configurable self-service keyboard

Dibal RMS Windows program allows to design your own self-service keyboard.

### Shape, size and number of keys:

You can programme configurations from 1 up to 255 keys. The scale can store up to 12 different keyboard configurations (to be selected by the user).

### Design of the keyboard layout:

With texts and pictures of the products and possibility to export the graphic file or send it directly to the printer.



## Connectivity and communications

### Scales network:

- Up to 5 scales (except K-230 and K-235 models).

### Computer communication:

- Available in the following models: K-250/253/255/280/282.
- Local (RS-232/422) or via modem by means of the optional Dibal RMS Windows software.
- Option: Ethernet 10BaseT or wireless communication based on IEEE 802.11b.



### Other optional connections:

- Connection to cash drawer.
- Integration with Waldyssa-Automac "Elixa Micro" wrapping machine.
- Connection to external battery (12 V).

**All K Series models can be connected to computer to load data and configurations, and for back-up copies.**

## Printing functions

Two types of thermal printers:

**Receipt printer** (K-230, K-240, K-250, K-253 models) that allows the use of standard or high capacity paper rolls.

**Multi purpose printer: allows the use of receipt and label rolls or continuous adhesive paper** (K-235, K-245, K-255, K-280, K-282 models):

- Standard or high capacity rolls can be used in flat and tower scales;
- there is also an optional accessory to allow the use of small sized labels.
- Double body, ABS hanging and self-service scales, are equipped with a **cassette** for quick paper replacement.

An optional accessory is available to allow the use of standard paper rolls and small sized labels.

**Receipt configuration:**

- **8** programmable **text lines** (4 head lines, 2 under the total and 2 bottom lines).
- Date, time and receipt number.
- **EAN-13** bar code.
- Total in local currency and/or Euro.
- Amount received and cash returned.
- Possibility to print **"cash voucher"**.
- **4 font types.**
- **Beef traceability.**

**Label configuration:**

- Up to **4.000 ingredients**, in a data base editable by the user.
- **5** configurable **label formats.**
- **40 fields** per format.
- **EAN-13 bar codes.**
- **3 dates:** current, use by and extra.
- **3 free text** per each PLU.
- **Beef traceability.**
- "Copy format" function.
- **4 font types** x 15 sizes.
- Rotation of texts and bar codes.

**SUPER-STAR**  
VAT No. GB123456789

30/JUL/03 15:09 V1-T0007

| Art.             | Kg             | €/kg | €           |
|------------------|----------------|------|-------------|
| 1                | FORK SAUSAGES  |      |             |
|                  | 0.290          | 3.56 | 1.03        |
| 2                | CHICKEN BREAST |      |             |
|                  | 0.670          | 3.95 | 2.65        |
| <b>TOTAL (2)</b> |                |      | <b>3.68</b> |
| TOTAL £          |                |      | 2.59        |
| GIVEN €          |                |      | 5.00        |
| CHANGE €         |                |      | 1.32        |
| CHANGE £         |                |      | 0.93        |

(1 € = 0.704521 £)



2 500007 003687

THANK YOU FOR YOUR VISIT

€/£ simulated exchange.

**SUPER-STAR**

**SIRLOIN STEAK**

PACK DATE BEST BEFORE WEIGHT 0.235kg  
06.03.02 16.03.02

PRICE TOTAL  
9.85 £/kg. 2.31 £.



2 500017 002311

Ref. number: 050202 3246943  
Slaughtered in: IRELAND  
Slaught. code: 1294  
Cutting in: UNITED KINGDOM  
Cutting code: 4932  
Born in: UNITED KINGDOM  
Raised in: IRELAND  
Age: 2YEARS  
Type of animal: CALF

**LEMONS**

| kg    | €/kg | €    |
|-------|------|------|
| 0.825 | 1.70 | 1.40 |

TARE 0.075 kg




2 500007 001409

BEST BEFORE 30.07.03

**STRAWBERRIES**

WEIGHT kg 0.365



2 500073 003659

**PIZZA**

INGREDIENTS: WHEAT FLOUR, SALT, TOMATO SAUCE, HAM, CHEESE, OLIVES, TUNA FISH, ANONAS.

**PRESERVE COLD**

PACK DATE 22.01.02  
BEST BEFORE 22.02.02

| WEIGHT KG | €/kg | TOTAL   |
|-----------|------|---------|
| 2.380     | 5.20 | 12.38 € |



2 500032 012388

**HANGING ABS,**  
with receipt printer or  
receipt/label printer.



**HANGING  
STAINLESS STEEL**  
with receipt printer.



**SELF-SERVICE,**  
with receipt/label  
printer.



# K Series retail scales

## Power

**Power:** 110 or 230 V (depending on the version).

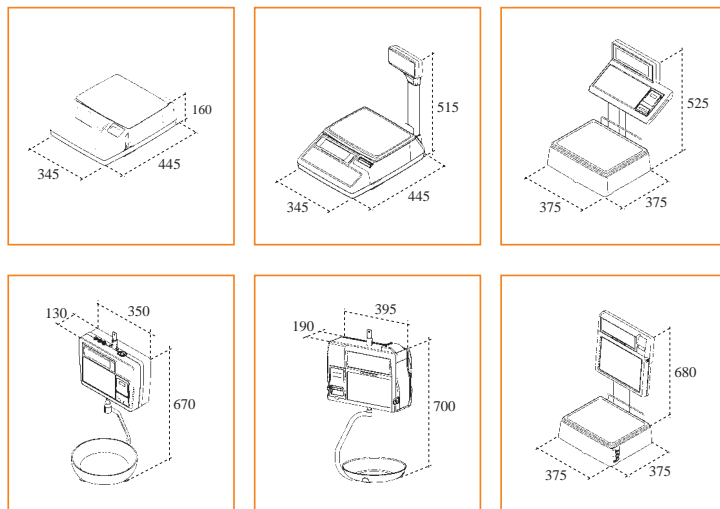
**"Anti Black-Out" battery:** Option available only for **flat or tower scales**. In case of mains failure, the scale will continue operating for hours.

**"High Capacity" batteries:** Option available only for **double body scales with receipt printer**.

| Scale format  | Number of batteries & type | Printer type    | Autonomy    |
|---------------|----------------------------|-----------------|-------------|
| Flat or tower | 1 "anti black-out"         | Receipt printer | 11 hours    |
|               | 1 "anti black-out"         | Label printer   | 9 1/2 hours |
| Double Body   | 1 "high capacity"          | Receipt printer | 26 hours    |
|               | 2 "high capacity"          | Receipt printer | 52 hours    |

Approximate average times. Test conditions: battery fully charged, backlight feature off, printing of one receipt of 2 articles every 3 minutes or, in the case of label printer, printing of one complete label of 60 x 60 mm every 30 seconds. Charging time and autonomy can be considerably altered according to the temperature, age and status of the batteries, frequency of use of the printer, etc.

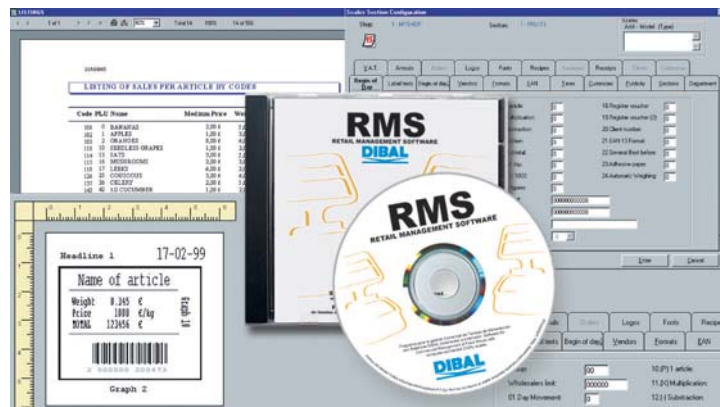
## Dimensions (mm)



## Configuration and management software

### DIBAL RMS software on Windows

- **Complete scale management and management of one or more shops:** scales programming, operation listings, price changes, vendors management, articles, ingredients, offers, stock control in the main warehouse and in shops, purchase orders,...
- **Design of labels with visual interface.**
- **Local or remote automatic communications.**
- **Module (Dibal "LBS") to load data and configurations, and for back-up copies.**



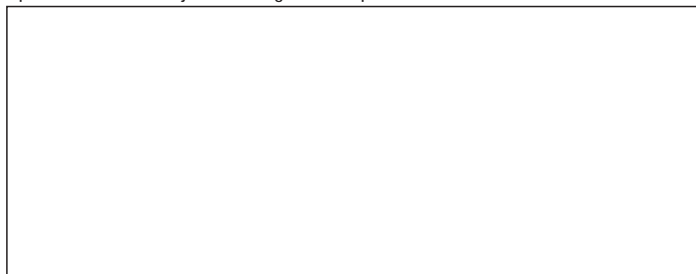
## Table of models

| Models                       | Available Formats <sup>(1)</sup> |   |    |    |    |    | Printer <sup>(2)</sup> |     | Articles (PLUs) | Loading / Downloading Data from PC | Scales Interconnection | Computer Connection |
|------------------------------|----------------------------------|---|----|----|----|----|------------------------|-----|-----------------|------------------------------------|------------------------|---------------------|
|                              | F                                | T | DB | HP | HS | SS | R                      | R/L |                 |                                    |                        |                     |
| K-230                        | ●                                | ● | ●  | ●  | ●  |    | ●                      |     | 500             | YES                                | NO                     | NO                  |
| K-240                        | ●                                | ● | ●  | ●  | ●  |    | ●                      |     | 500             | YES                                | YES                    | NO                  |
| K-250                        | ●                                | ● | ●  | ●  | ●  |    | ●                      |     | 1.000           | YES                                | YES                    | YES                 |
| K-253 <sup>(3)</sup>         | ●                                | ● | ●  | ●  | ●  |    | ●                      |     | 4.000           | YES                                | YES                    | YES                 |
| K-235                        | ●                                | ● | ●  | ●  |    |    |                        | ●   | 1.000           | YES                                | NO                     | NO                  |
| K-245                        | ●                                | ● | ●  | ●  |    |    |                        | ●   | 1.000           | YES                                | YES                    | NO                  |
| K-255                        | ●                                | ● | ●  | ●  |    |    |                        | ●   | 1.000           | YES                                | YES                    | YES                 |
| K-280 / K-282 <sup>(4)</sup> |                                  |   |    |    |    | ●  |                        | ●   | 1.000           | YES                                | YES                    | YES                 |

(1) **Formats:** F= Flat, T= Tower, DB= Double Body, HP= Hanging ABS Plastic, HS= Hanging Stainless Steel, SS= Self-Service. (2) **Printers:** R= Receipt only, R/L= Receipt or Label.

(3) K-253 model allows the printing of sales listing for fiscal use (depending on the Country regulation). (4) K-280 model with one display only, K-282 model with 2 displays (buyer's and vendor's).

Specifications are subject to change without prior notice.



DIBAL, S.A. - Astintze, 24 (P. I. Neinver) 48160 Derio (Vizcaya) - Spain  
Tel.: (+34) 94 452 15 10 - Fax: (+34) 94 452 36 58  
http://www.dibal.com - E-mail: dibal@dibal.com